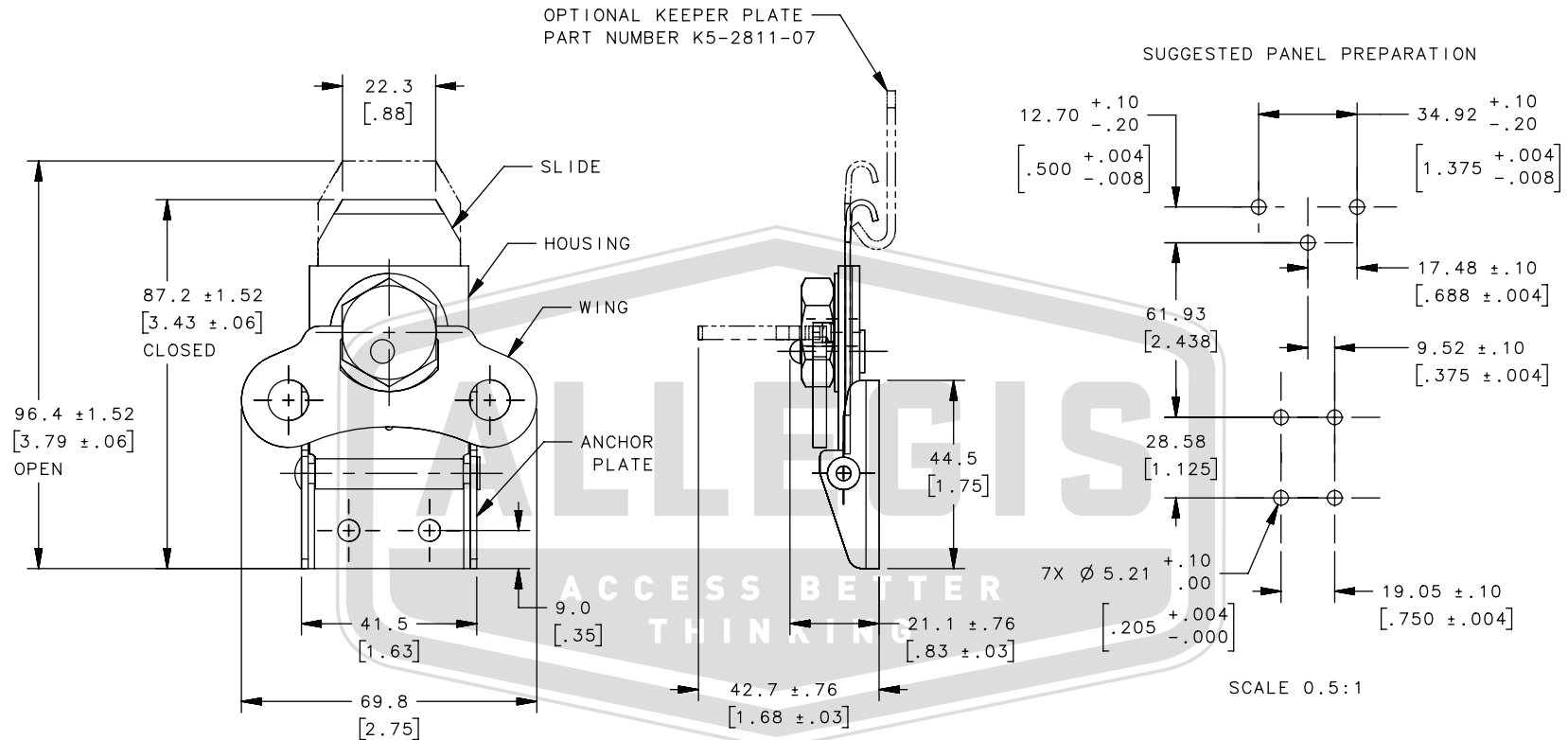


APPROVAL - CUSTOMER NAME & SIGNATURE

DATE



NOTES:

A. MATERIAL :-

ANCHOR PLATE,WING,ANCHOR PLATE RIVET
AND LOWER CAM: CARBON STEEL
HOUSING AND SLIDE: HARDENED ALLOY STEEL.
UPPER CAM: POWDER METAL
CAM RIVET AND CAM SPRING: STAINLESS STEEL

B. FINISH :-

ANCHOR PLATE,WING,ANCHOR PLATE RIVET,
LOWER CAM,HOUSING,SLIDE AND UPPER CAM:
ZINC PLATE,BRIGHT CHROMATE DIP.

K5-2812-07	SEE NOTE A	SEE NOTE B
PART NUMBER	MATERIAL	FINISH

ALLEGIS	1-866-378-7550
MATERIAL: Steel	DRAWING NO. : K5-2812-07
FINISH: Zinc Plate, bright chromate	
REV.: 1:1	DATE: 5/30/2019